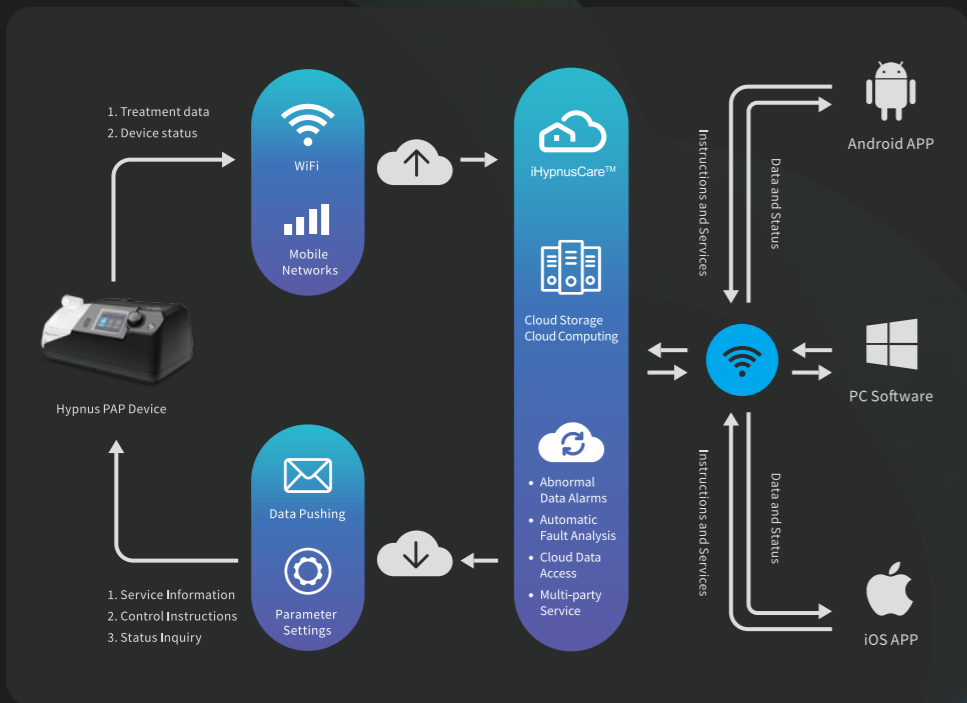


Hypnus Intelligent Healthcare Cloud



System Structure Diagram



Worries Treatment Borderless Service

Based on the Internet of Things and cloud computing technology, the iHypnusCare™ creates a bridge between the users and the service teams, providing considerate and constant service to the users and making treatment without worries.

Meanwhile, it empowers the channel partners to increase service capacity and efficiency, extend service scope, reduce service cost, and make service unlimited.

On-time and considerate customer care can significantly increase the initial PAP treatment acceptance rate and ensure continuous compliance for ongoing treatment.

Specifications

Subseries	CA7		BA7		ST7		
	CA720	CA720W	BA725	BA725W	ST725W	ST730	ST730W
Model	CA720	CA720W	BA725	BA725W	ST725W	ST730	ST730W
Mode	CPAP APAP	CPAP APAP	CPAP BPAP-S AUTO BPAP-S	CPAP BPAP-S AUTO BPAP-S	CPAP BPAP-S AUTO BPAP-S BPAP-T BPAP-ST	CPAP BPAP-S AUTO BPAP-S BPAP-T BPAP-ST	CPAP BPAP-S AUTO BPAP-S BPAP-T BPAP-ST
Pressure	4-20cmH ₂ O	4-20cmH ₂ O	4-25cmH ₂ O	4-25cmH ₂ O	4-25cmH ₂ O	4-30cmH ₂ O	4-30cmH ₂ O
Pressure Release	DEP	DEP	SAP	SAP	SAP	SAP	SAP
Wifi	—	Support	—	Support	Support	—	Support
Bluetooth	—	Support	—	Support	Support	—	Support
Noise	≤29dB						
Humidifier	Five-level control of temperature and humidity						
Heated Tubing	Adjustable temperature from 16°C to 30°C						
Humidifier Preheating	Humidifier can be preheated for 1 hour in advance						
Smart Start/Stop	Automatically start/stop therapy						
Data Management	2 years of sleeping data, 14 days of detailed data for clinical/medical research						
Respiratory Event Record	AHI, AI, HI, FL, SNORE, LEAK, CSA, CSR, PB						
Real-time Treatment Parameters Monitor	—				Tidal Volume, Respiratory Rate, Minute Ventilation, Leakage		
Mask	Nasal Mask				Full-face Mask		
Optional Accessories	Heated Tubing, Bluetooth Pulse Oximeter						

HYPNUS PAP Device

Taking pride in its Quiet and Comfort



Guangzhou Hypnus Healthcare Co., Ltd

Address: 2F, No.3 Tianfeng Road, Science City, Development District, Guangzhou, China
 Telephone: +86 20 66343189
 Email: export@ihypnus.com
 www.ihypnus.com



TMed Technology, Inc

Address: 3030 Pandosy St #215, Kelowna, British Columbia Canada V1Y 1W2
 Telephone: +1 (833) 863 3822
 Email: sales@tmedtechnology.com
 www.tmedtechnology.com



Designed for Quiet and Comfort



Black Stone



Glacial White

Adhering to Vincent Medical Group's 40 years of experience in respiratory therapy and airway management, the HYPNUS team has been focusing on the development of noise control and comfort improvement at the very beginning of its establishment. From the aerodynamics of blower and airduct, to the intelligent sensing technology of respiratory events, and the FOC motor-driving algorithm as well, a group of patents with completely independent intellectual property rights have been created to open up a new era of user experience for extremely quiet and comfortable treatment.



Sleep peacefully, breathe naturally.

Intelligent i-Sense Technology

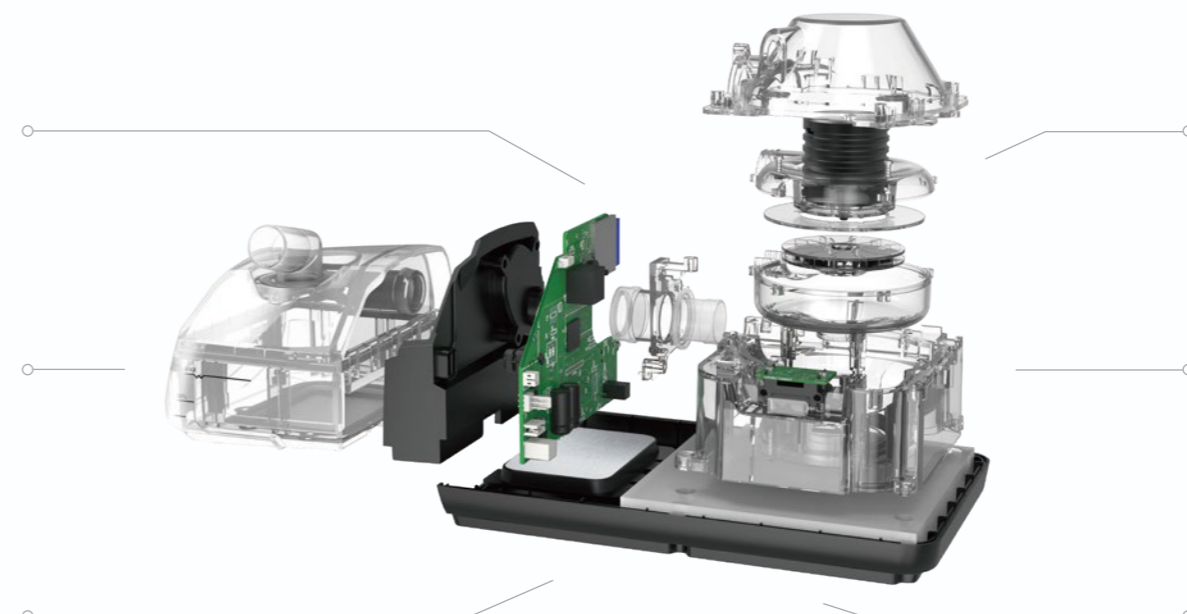
Identifies various respiratory events accurately and outputs optimal treatment pressure dynamically.

FOC Motor-driving Algorithm

With the performance of stepless pressure regulating and rapid acceleration / deceleration, the target pressure is delivered steadily and immediately following the respiration rhythm.

Excellent Blower and Airduct

Ensuring stable pressure and curative effect, the conducted and radiation noises are both suppressed efficiently.



Upgraded Heated Tubing

Eliminates condensation and guarantees user comfort even in cold environment.

Preheated Humidification

Makes sure that every breath is warm and comfortable.

High Precision Flow & Pressure Sensors

Accurately captures subtle airflow changes and instantaneously responds within 0.004 second.

Quiet as Spring Drizzle

Patented multi-mean noise control and pressure regulating technologies promise high-performance ultra-quiet operation ($\leq 29\text{dB}$ at $10\text{cmH}_2\text{O}$), creating a quiet sleep and treatment environment for the user with affirmatory efficacy.



15 dB (Flower Blossom)



$\leq 29\text{dB}$ (Hypnus PAP)



30 dB (Silent Country Night)



40 dB (Air Conditioner)

Considerate and Comfortable Care

More Comfortable Treatment

Independently developed high-performance blower, combined with unique respiration-synchronized airflow delivery algorithm provides a more comfortable treatment experience while preventing the user from strong impact of airflow.



Much Warmer Humidification

High-efficiency humidification system with preheating ensures continuous warmed and moisturized air throughout the treatment, making every breath feel like a spring breeze, warm and cozy.



More Sensitive Response

Real-time high-precision sensors working with the i-Sense algorithms can capture every subtle respiration airflow change accurately and deliver the optimal treatment pressure dynamically to ensure a more natural and comfortable breathing.

